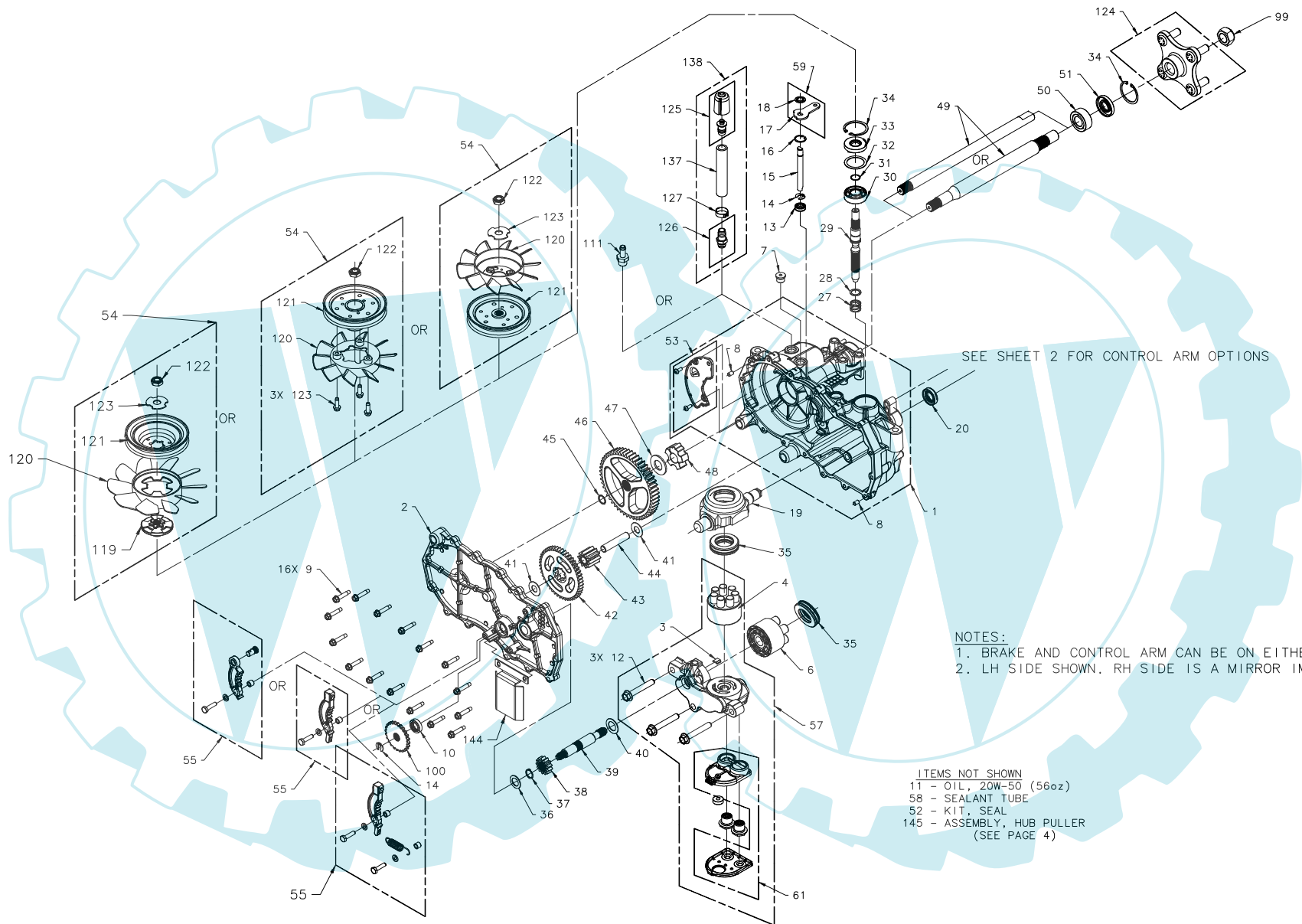


EZT SERVICE SCHEMATIC



SEE SHEET 2 FOR CONTROL ARM OPTIONS

NOTES:
 1. BRAKE AND CONTROL ARM CAN BE ON EITHER SIDE.
 2. LH SIDE SHOWN. RH SIDE IS A MIRROR IMAGE.

ITEMS NOT SHOWN
 11 - OIL, 20W-50 (56oz)
 58 - SEALANT TUBE
 52 - KIT, SEAL
 145 - ASSEMBLY, HUB PULLER
 (SEE PAGE 4)

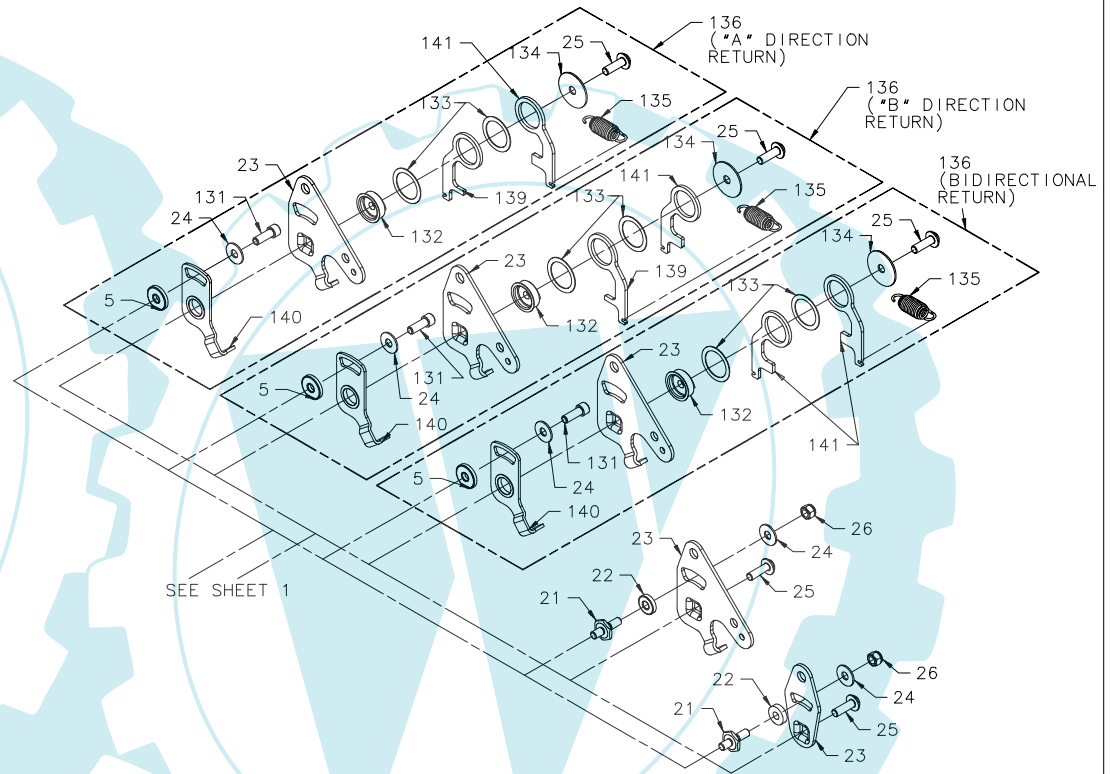


EZT SERVICE SCHEMATIC

MODEL NUMBER:
CHARACTER #:

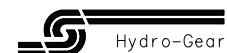
Z		-	*					-	*	*	-					
1	2	-	3	4	5	6	-	7	8	9	10	-	11	12	13	14

CONTROL TYPE		ITEM #	COMPONENT #	DESCRIPTION	QTY
0, 5	A	21	50426	STUD, SHORT 5/16-24	1
		22	52298	WASHER, PLASTIC	1
		24	44130	WASHER .34X.88X.06	1
		25	51812	TWCS 5/16-24 X 1.00 (PATCH)	1
		26	50317	NUT, HEX LOCK 5/16-24 UNF	1
	B,C	21	50426	STUD, SHORT 5/16-24	1
		24	44130	WASHER .34X.88X.06	1
		25	51812	TWCS 5/16-24 X 1.00 (PATCH)	1
		26	50317	NUT, HEX LOCK 5/16-24 UNF	1
		22	51846	SPACER	1
OR					
2, 7 A, G D, K	-	24	44130	WASHER .34X.88X.06	1
		25	51812	TWCS 5/16-24 X 1.00 (PATCH)	1
		5	51949	SPACER .320 X 1.005 X .179	1
		131	51616	SHCS 5/16-24X1 PATCH	1
		132	51947	BUSHING, PILOT, 1.13	1
		133	51948	WASHER, PLASTIC	2
		141	51951	ARM, SCISSOR	2
3, 4, 8, 9 B, C, E, F H, J, L, M	-	134	51950	WASHER, .343 X 1.500 X .062	1
		24	44130	WASHER .34X.88X.06	1
		25	51812	TWCS 5/16-24 X 1.00 (PATCH)	1
		5	51949	SPACER .320 X 1.005 X .179	1
		131	51616	SHCS 5/16-24X1 PATCH	1
		132	51947	BUSHING, PILOT, 1.13	1
		133	51948	WASHER, PLASTIC	2
		141	51951	ARM, SCISSOR	1
AND					
2, 3, 4, 7, 8, 9 A - F G - M	-	135	52401	SPRING, EXTNSN CLEAR ZINC	1
			51833	SPRING, EXTNSN, BLACK ZINC	1
			51605	SPRING, EXTNSN, YELLOW ZINC	1



CONTROL ARM				
Char10	ITEM#	COMPONENT #	DESCRIPTION	QTY
A	23	51631	ARM, CONTROL	1
	23	51841	ARM, CONTROL RH	1
B	140	51945	ARM, NEUTRAL RIGHT	1
	23	51842	ARM, CONTROL LH	1
C	140	51946	ARM, NEUTRAL LEFT	1

KITS					
CHAR 3	CHAR 9	ITEM#	COMPONENT #	DESCRIPTION	QTY
A	2, A, G	136	71095	KIT, RTN ASSEMBLY - LH	1
	3, 4, B, C, H, J		71320	KIT, RTN UNIDIRECTIONAL-LH	1
	7, D, K		71094	KIT, RTN ASSEMBLY - RH	1
	8, 9, E, F, L, M		71317	KIT, RTN UNIDIRECTIONAL-RH	1
D	7, D, K	136	71095	KIT, RTN ASSEMBLY - LH	1
	8, 9, E, F, L, M		71320	KIT, RTN UNIDIRECTIONAL-LH	1
	2, A, G		71094	KIT, RTN ASSEMBLY - RH	1
	3, 4, B, C, H, J		71317	KIT, RTN UNIDIRECTIONAL-RH	1



EZT SERVICE SCHEMATIC

MODEL NUMBER:

Z		-	*	*	*	-					-				
---	--	---	---	---	---	---	--	--	--	--	---	--	--	--	--

CHARACTER #:

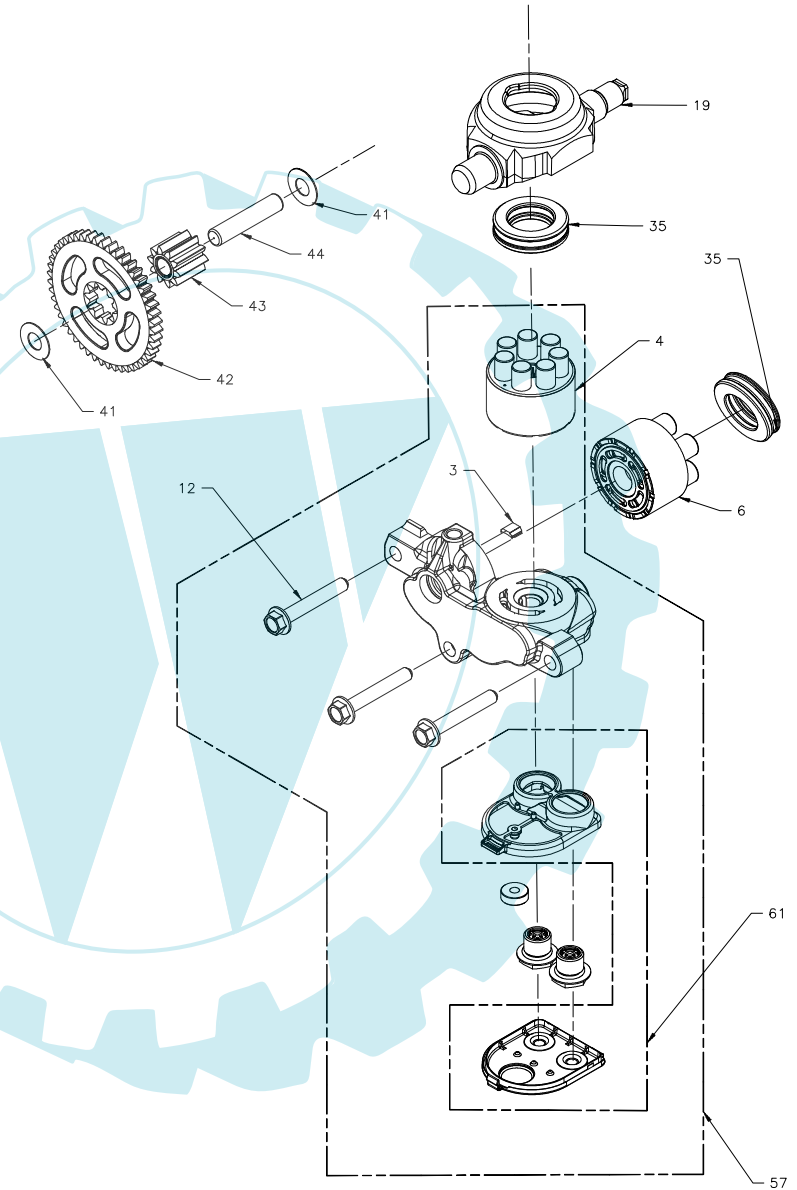
1	2	-	3	4	5	6	-	7	8	9	10	-	11	12	13	14
---	---	---	---	---	---	---	---	---	---	---	----	---	----	----	----	----

CENTER SECTION & REDUCTION COMPONENTS

CHARACTER 3	CHARACTER 5,6	ITEM #	COMPONENT #	DESCRIPTION	QTY
A	B	57	71143	CENTER SECTION, RH, 7P	1
		61	70911	KIT, FILTER	1
D	B	57	71142	CENTER SECTION, LH, 7P	1
		61	70911	KIT, FILTER	1

COMMON PARTS (ALL MODELS)

ITEM #	COMPONENT #	DESCRIPTION	QTY
3	51448	PLATE, BYPASS	1
4	70723	ASSEMBLY, PISTON BLOCK - 7P10CC	1
6	70331	ASSEMBLY, PISTON BLOCK - 5P10CC	1
12	50016	BOLT, HEX FLANGE 3/8-24 X 2.5	3
19	51048	SWASHPLATE, TRUNNION, MACHINED	1
35	50551	BEARING, THRUST 30 X 52 X 13	2
41	50132	WASHER, HT .5 ID X 1.0 OD X .032	2
42	51129	GEAR, 10T/48T	1
43	51043	GEAR, 10T JACKSHAFT	1
44	51083	PIN, JACKSHAFT	1
52	70853	KIT, SEAL	1
58	50928	SEALANT TUBE	1



EZT SERVICE SCHEMATIC

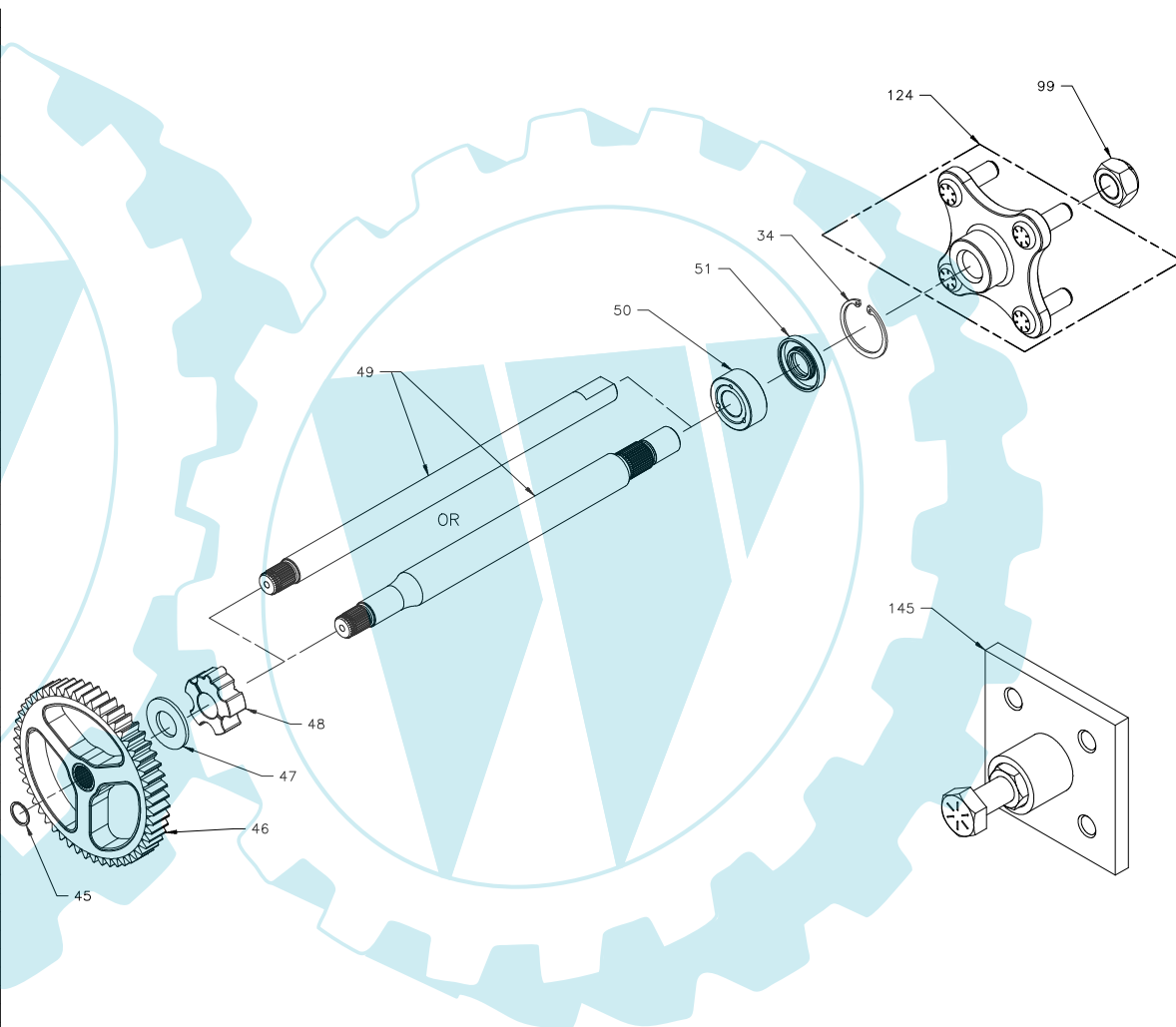
MODEL NUMBER:

CHARACTER #:

Z		-	*			-					-					
1	2	-	3	4	5	6	-	7	8	9	10	-	11	12	13	14

AXLE COMPONENTS

CHARACTER#	ITEM #	COMPONENT #	DESCRIPTION	QTY
A	49	51894	SHAFT, AXLE	1
	50	51089	BUSHING, .752 X 1.571 X .625	1
	51	51066	SEAL, LIP .750 X 1.577 X .250	1
	34	50329	RING, RETAINING	1
	45	44871	RING, SPIRAL RETAINING	1
	46	51633	GEAR, 52T BULL	1
	47	44875	WASHER, 3/4 ID X 1-1/2 OD X .13	1
	48	51088	BEARING, SLEEVE (INBOARD)	1
C	49	51894	SHAFT, AXLE	1
	50	51089	BUSHING, .752 X 1.571 X .625	1
	51	51066	SEAL, LIP .750 X 1.577 X .250	1
	34	50329	RING, RETAINING	1
	124	71093	HUB, 4 STUD, 1/2-20 (3 TAPER)	1
	145	71241	ASSEMBLY, HUB PULLER	1
	99	51901	NUT, HEX LOCK 9/16-18	1
	45	44871	RING, SPIRAL RETAINING	1
F	46	51633	GEAR, 52T BULL	1
	47	44875	WASHER, 3/4 ID X 1-1/2 OD X .13	1
	48	51088	BEARING, SLEEVE (INBOARD)	1
	49	51954	SHAFT, AXLE	1
	50	51089	BUSHING, .752 X 1.571 X .625	1
	51	51066	SEAL, LIP .750 X 1.577 X .250	1
	34	50329	RING, RETAINING	1
	45	44871	RING, SPIRAL RETAINING	1
H	46	51633	GEAR, 52T BULL	1
	47	44875	WASHER, 3/4 ID X 1-1/2 OD X .13	1
	48	51088	BEARING, SLEEVE (INBOARD)	1
	49	51954	SHAFT, AXLE	1
	50	51089	BUSHING, .752 X 1.571 X .625	1
	51	51066	SEAL, LIP .750 X 1.577 X .250	1
	34	50329	RING, RETAINING	1
	45	44871	RING, SPIRAL RETAINING	1
J	46	51633	GEAR, 52T BULL	1
	47	44875	WASHER, 3/4 ID X 1-1/2 OD X .13	1
	48	51088	BEARING, SLEEVE (INBOARD)	1
	49	51856	SHAFT, AXLE	1
	50	51517	BUSHING, 1.003 X 1.575 X .625	1
	51	51518	SEAL, LIP 1.00 X 1.577 X .25	1
	34	50329	RING, RETAINING	1
	45	44871	RING, SPIRAL RETAINING	1
K	46	51633	GEAR, 52T BULL	1
	47	44875	WASHER, 3/4 ID X 1-1/2 OD X .13	1
	48	51088	BEARING, SLEEVE (INBOARD)	1
	124	70314	HUB, 4 STUD, 1/2-20 (30 TAPER)	1
	99	51901	NUT, HEX LOCK 9/16-18	1
	45	44871	RING, SPIRAL RETAINING	1
	46	51633	GEAR, 52T BULL	1
	47	44875	WASHER, 3/4 ID X 1-1/2 OD X .13	1
M	48	51088	BEARING, SLEEVE (INBOARD)	1
	49	51858	SHAFT, AXLE	1
	50	51089	BUSHING, .752 X 1.571 X .625	1
	51	51066	SEAL, LIP .750 X 1.577 X .250	1
	34	50329	RING, RETAINING	1



EZT SERVICE SCHEMATIC

MODEL NUMBER:

Z		-	*				-	*	*				-	*				
---	--	---	---	--	--	--	---	---	---	--	--	--	---	---	--	--	--	--

CHARACTER #:

1	2	-	3	4	5	6	-	7	8	9	10	-	11	12	13	14
---	---	---	---	---	---	---	---	---	---	---	----	---	----	----	----	----

BRAKE ARM KITS

CHARACTER 7	CHARACTER 3	CHARACTER 8	ITEM #	COMPONENT #	DESCRIPTION	QTY
2	A	A,C,K, OR M	55	71069	KIT, BRAKE ARM W/ CLEVIS PIN, LH	1
		B,D,J, OR L		71070	KIT, BRAKE ARM W/ CLEVIS PIN, RH	1
	D	B,D,J, OR L		71069	KIT, BRAKE ARM W/ CLEVIS PIN, LH	1
		A,C,K, OR M		71070	KIT, BRAKE ARM W/ CLEVIS PIN, RH	1
3	-----	-----	70865	KIT, BRAKE ARM	1	
4	-----	-----	71356	KIT, BRAKE ARM W/ SPRING	1	

BRAKE SHAFTS & SEALS

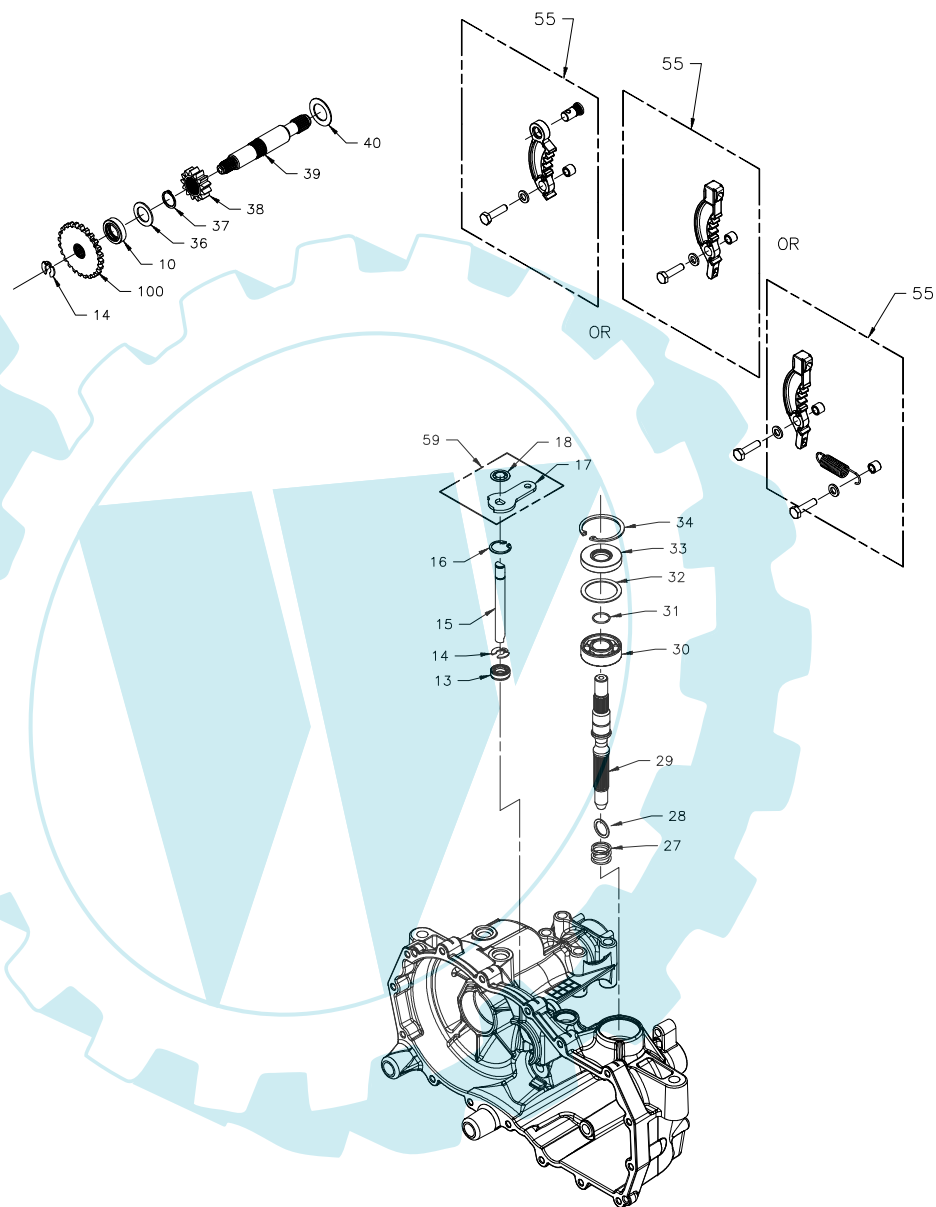
CHARACTER 8	ITEM #	COMPONENT #	DESCRIPTION	QTY
A-D	10	70719	KIT, BRAKE SEAL	1
	14	51628	RING, RETAINING .375 EXT	2
	36	44371	WASHER, FLAT 5/8 ID X 1.0 OD X .05	1
	37	44145	RING, RETAINING	1
	38	51130	GEAR, PINNION 13T	1
	39	51632	SHAFT, MOTOR	1
	40	51069	WASHER, MOTOR SHAFT .71 ID X 1.160 DX .04	1
J-M	100	51635	DISC, COG BRAKE	1
	10	9008000-0125	SEAL, LIP .50 X .98 X .25	1
	14	51628	RING, RETAINING .375 EXT	2
	36	44371	WASHER, FLAT 5/8 ID X 1.0 OD X .05	1
	37	44145	RING, RETAINING	1
	38	51130	GEAR, PINNION 13T	1
	39	51845	SHAFT, MOTOR	1
40	51069	WASHER, MOTOR SHAFT .71 ID X 1.160 DX .04	1	
100	51635	DISC, COG BRAKE	1	

COMMON PARTS (ALL MODELS)

ITEM #	COMPONENT #	DESCRIPTION	QTY
13	51626	SEAL, LIP .375 X .75 X .25	1
14	51628	RING, RETAINING .375 EXT	2
15	51625	ROD, BYPASS	1
16	51627	RING, RETAINING .750 INT	1
18	51630	RING, RETAINING .375 EXT (PUSHNUT)	1
27	2003014	SPRING, HELICAL COMPRESSION	1
28	2003017	WASHER, .591 X .787 X .040	1
29	51062	SHAFT, INPUT	1
30	50315	BEARING, BALL 17MM ID X 40MM OD X 12MM	1
31	2000022	RING, RETAINING WIRE .561 ID	1
32	50951	SPACER	1
33	51161	SEAL, LIP 17 X 40 X 7	1
34	50329	RING, RETAINING	2

BYPASS

CHARACTER 11	ITEM #	COMPONENT #	DESCRIPTION	QTY
1	17	51629	ARM, BYPASS, HOLE	1
	59	70891	KIT, BYPASS ARM	1
2	17	51910	ARM, BYPASS, W/ PIN	1
	59	71006	KIT, BYPASS ARM	1
3	17	52370	ARM, BYPASS	1
	59	71357	KIT, BYPASS ARM	1



EZT SERVICE SCHEMATIC

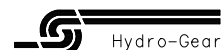
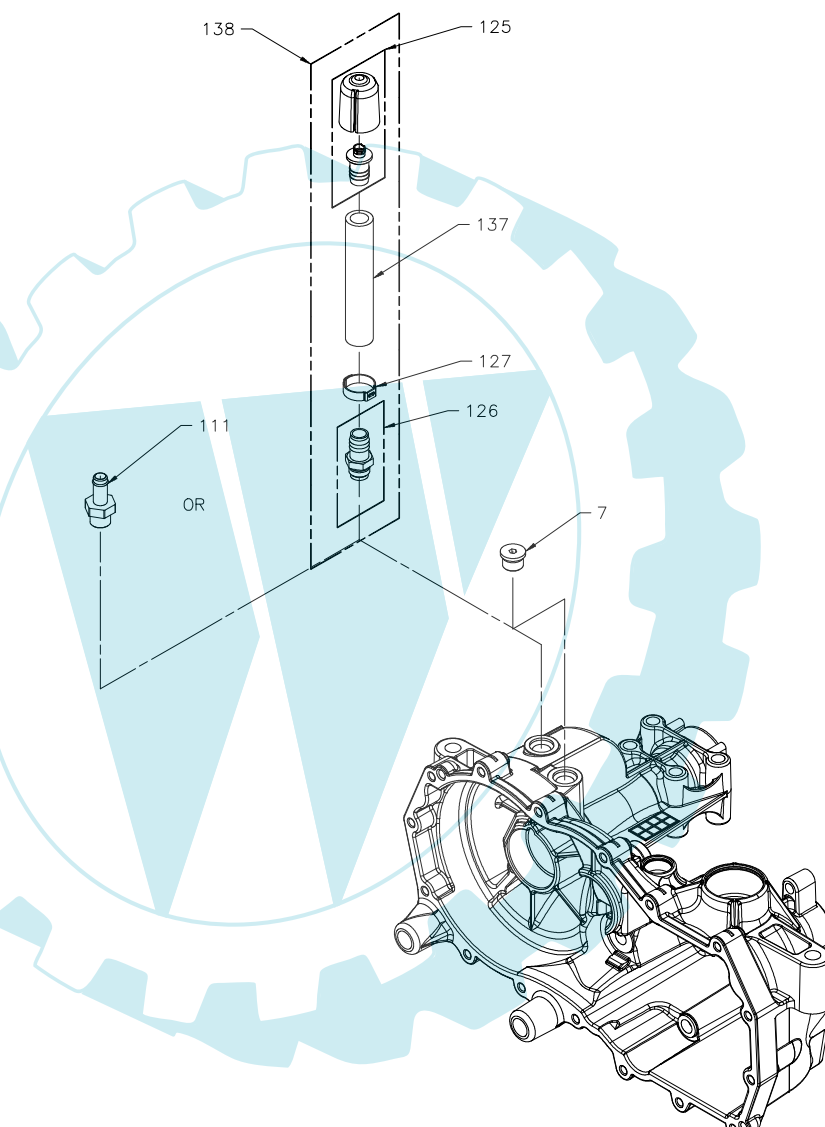
MODEL NUMBER:

CHARACTER #:

Z		-										*				
1	2	-	3	4	5	6	-	7	8	9	10	-	11	12	13	14

BREATHER

CHARACTER 13	ITEM #	COMPONENT #	DESCRIPTION	QTY
A	7	9005110-5600	PLUG, 9/16-18 (METAL)	1
	125	70921	CAP, VENT ASSEMBLY	1
	126	70110	FITTING, O-RING ASSEMBLY	1
	138	71130	KIT, BREATHER ASSEMBLY (NO HOSE), STR	1
B	7	9005110-5600	PLUG, 9/16-18 (METAL)	1
	125	70921	CAP, VENT ASSEMBLY	1
	126	70110	FITTING, O-RING ASSEMBLY	1
	127	50590	CLAMP, PINCH, SINGLE EAR	1
	137	51401	HOSE, .50 X 4.00	1
	138	71004	KIT, BREATHER ASSEMBLY (4* HOSE), STR	1
C	7	9005110-5600	PLUG, 9/16-18 (METAL)	1
	125	70921	CAP, VENT ASSEMBLY	1
	126	70110	FITTING, O-RING ASSEMBLY	1
	127	50590	CLAMP, PINCH, SINGLE EAR	1
	137	50594	HOSE, .50 X 8.75	1
	138	71131	KIT, BREATHER ASSEMBLY (8.75* HOSE), STR	1
D,G	7	9005110-5600	PLUG, 9/16-18 (METAL)	1
	125	70921	CAP, VENT ASSEMBLY	1
	126	51825	FITTING, O-RING ASSEMBLY	1
	127	50590	CLAMP, PINCH, SINGLE EAR	1
	137	50594	HOSE, .50 X 8.75	1
E	7	9005110-5600	PLUG, 9/16-18 (METAL)	1
	111	52200	FITTING, STR 9/16-18 SAE .375 BARB	1
	7	9005110-5600	PLUG, 9/16-18 (METAL)	1
	125	70921	CAP, VENT ASSEMBLY	1
F	126	50589	FITTING, O-RING ASSEMBLY	1
	127	50590	CLAMP, PINCH, SINGLE EAR	1
	137	50594	HOSE, .50 X 8.75	1
	138	71306	KIT, BREATHER ASSEMBLY (8.75* HOSE), 60	1
	7	9005110-5600	PLUG, 9/16-18 (METAL)	1
H,J	125	70921	CAP, VENT ASSEMBLY	1
	126	50591	FITTING, O-RING ASSEMBLY	1
	127	50590	CLAMP, PINCH, SINGLE EAR	1
	137	51731	HOSE, .50 X 15	1
	138	71308	KIT, BREATHER ASSEMBLY (15* HOSE), STR	1



EZT SERVICE SCHEMATIC

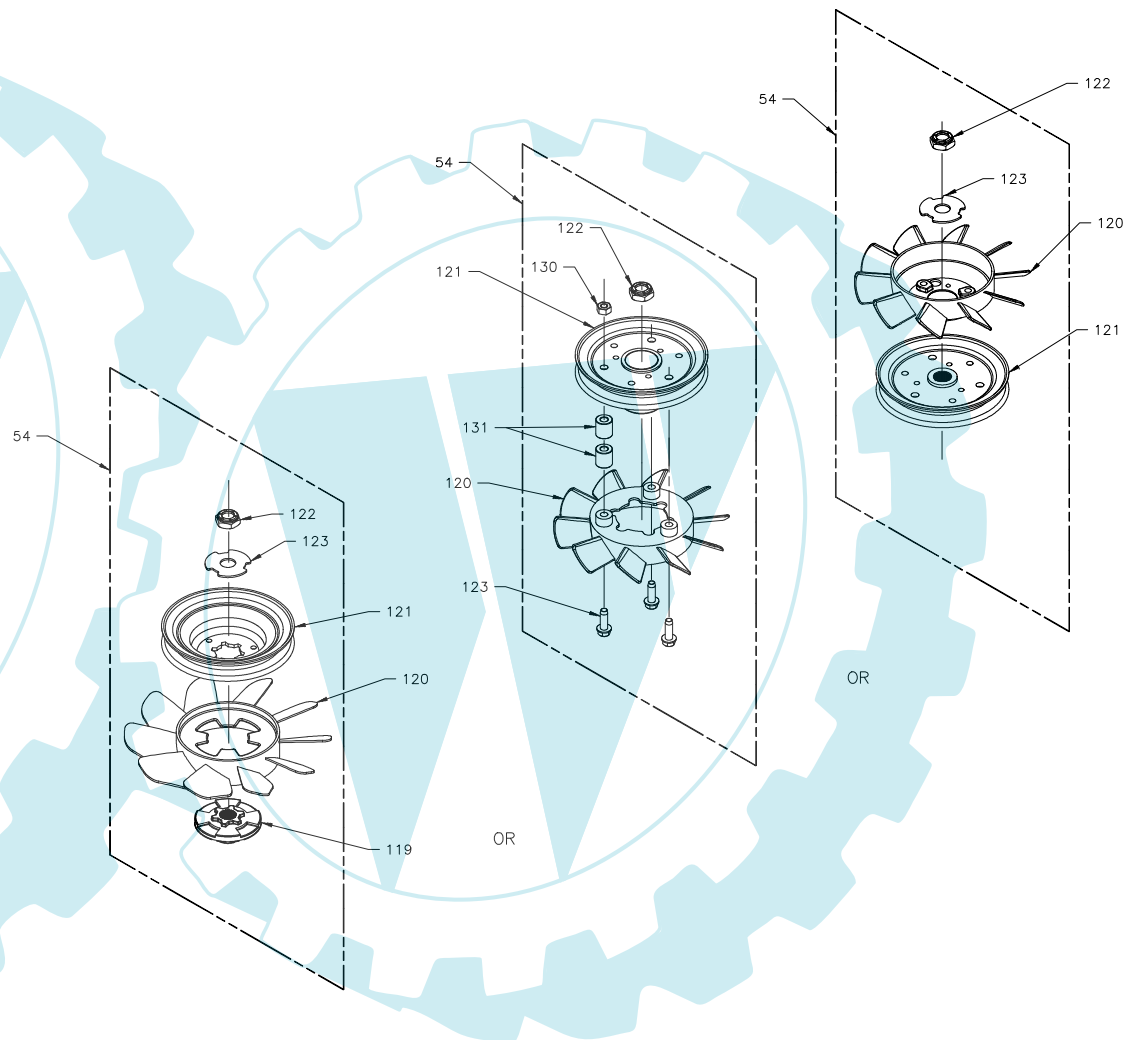
MODEL NUMBER:

CHARACTER #:

Z		-									*					
1	2	-	3	4	5	6	-	7	8	9	10	-	11	12	13	14

FAN & PULLEY KIT

Char 12	ITEM#	COMPONENT #	DESCRIPTION	QTY
X			N/A	
C fan over pulley	120	51362	FAN, 6", 10 BLADE	1
	121	51182	PULLEY 4.5"	1
	122	51244	NUT, HEX LCKNG 1/2-20 NYLON	1
	54	70583	KIT, FAN-PULLEY	1
	123	51523	WASHER, OD SLOTTED .53X1.63X.0	1
D pulley over fan	120	51365	FAN, 6", 10 BLADE	1
	121	50302	PULLEY 4.5 X 1.625	1
	122	51244	NUT, HEX LCKNG 1/2-20 NYLON	1
	54	70591	KIT, FAN-PULLEY	1
	123	50752	HFHCS 1/4-20X.75 BLK PHOS & OIL	3
E fan over pulley	120	51862	FAN, 7", 10 BLADE	1
	121	51875	PULLEY 4.5 X 1.625	1
	122	44133	NUT, HEX LCKNG 1/2-20 NYLON	1
	54	70489	KIT, FAN-PULLEY	1
	123	51523	WASHER, OD SLOTTED .53X1.63X.0	1
F fan over pulley	120	50307	FAN, 7", 10 BLADE	1
	121	50302	PULLEY 4.5 X 1.625	1
	122	44133	NUT, HEX LCKNG 1/2-20 NYLON	1
	123	44300	HFHCS 1/4-20X2 (PATCH)	3
	130	43178	NUT, HEX 1/4-20	3
	54	70488	KIT, FAN-PULLEY	1
	131	50259	SPACER .26X.57X.62 (BLACK)	6
G pulley over fan	120	51579	FAN, 6", 10 BLADE	1
	121	51585	PULLEY 4"	1
	122	51244	NUT, HEX LCKNG 1/2-20 NYLON	1
J fan over pulley	54	70770	KIT, FAN-PULLEY	1
	123	50752	HFHCS 1/4-20X.75 BLK PHOS & OIL	3
	120	51862	FAN, 7", 10 BLADE	1
	121	51925	PULLEY 3.25"	1
	122	44133	NUT, HEX LCKNG 1/2-20 NYLON	1
K fan over pulley	54	70995	KIT, FAN-PULLEY	1
	123	51523	WASHER, OD SLOTTED .53X1.63X.0	1
	120	51862	FAN, 7", 10 BLADE	1
	121	51231	PULLEY 3.86"	1
	122	51244	NUT, HEX LCKNG 1/2-20 NYLON	1
L pulley over fan	54	70510	KIT, FAN-PULLEY	1
	123	51523	WASHER, OD SLOTTED .53X1.63X.0	1
	120	52315	FAN, 7", 10 BLADE	1
	121	50302	PULLEY 4.5 X 1.625	1
	122	51244	NUT, HEX LCKNG 1/2-20 NYLON	1
M pulley over fan	54	71333	KIT, FAN-PULLEY	1
	123	51079	HFHCS 1/4-20X.875 BLK PHOS & OIL	3
	120	52315	FAN, 7", 10 BLADE	1
	121	52046	PULLEY 5.0"	1
	122	51244	NUT, HEX LCKNG 1/2-20 NYLON	1
N pulley over fan	54	71335	KIT, FAN-PULLEY	1
	123	51079	HFHCS 1/4-20X.875 BLK PHOS & OIL	3
	120	52315	FAN, 7", 10 BLADE	1
	121	51597	PULLEY 4.75"	1
	122	51244	NUT, HEX LCKNG 1/2-20 NYLON	1
P pulley over fan	54	71336	KIT, FAN-PULLEY	1
	123	51079	HFHCS 1/4-20X.875 BLK PHOS & OIL	3
	120	52365	FAN, 7", 10 BLADE	1
	121	52364	DISC, PULLEY	1
	122	51244	NUT, HEX LCKNG 1/2-20 NYLON	1
R pulley over fan	123	51523	WASHER, OD SLOTTED .53X1.63X.0	1
	54	71351	KIT, FAN-PULLEY	1
	119	52366	HUB	1



EZT SERVICE SCHEMATIC

MODEL NUMBER:
CHARACTER #:

Z		-	*					-	*	*	*				*	
1	2	-	3	4	5	6	-	7	8	9	10	-	11	12	13	14

MAIN HOUSING KITS

Char 7	Char 3	Char 9	Char 8	ITEM#	COMPONENT#	DESCRIPTION	QTY
2	A	0,1,2	A-D	1	71030R	RH	1
		5,6,7	A-D		70862R	RH W/CNTL	1
			J-M		71098	RH W/CNTL AND BRAKE	1
	D	0,1,2	A-D		71030L	LH	1
		5,6,7	A-D		70862L	LH W/CNTL	1
			J-M		71097	LH W/CNTL AND BRAKE	1
3	A	0,1,2	L	1	70974R	RH W/CNTL AND BRAKE, MOD BOSS	1
		5,6,7	A or D		71030R	RH	1
			A or D		70862R	RH W/CNTL	1
	D	0,1,2	J or M		71098	RH W/CNTL AND BRAKE	1
		5,6,7	A or D		71030L	LH	1
			A or D		70862L	LH W/CNTL	1
			J or M	71097	LH W/CNTL AND BRAKE	1	
			L	70974L	LH W/CNTL AND BRAKE, MOD BOSS	1	

SIDE HOUSING KITS

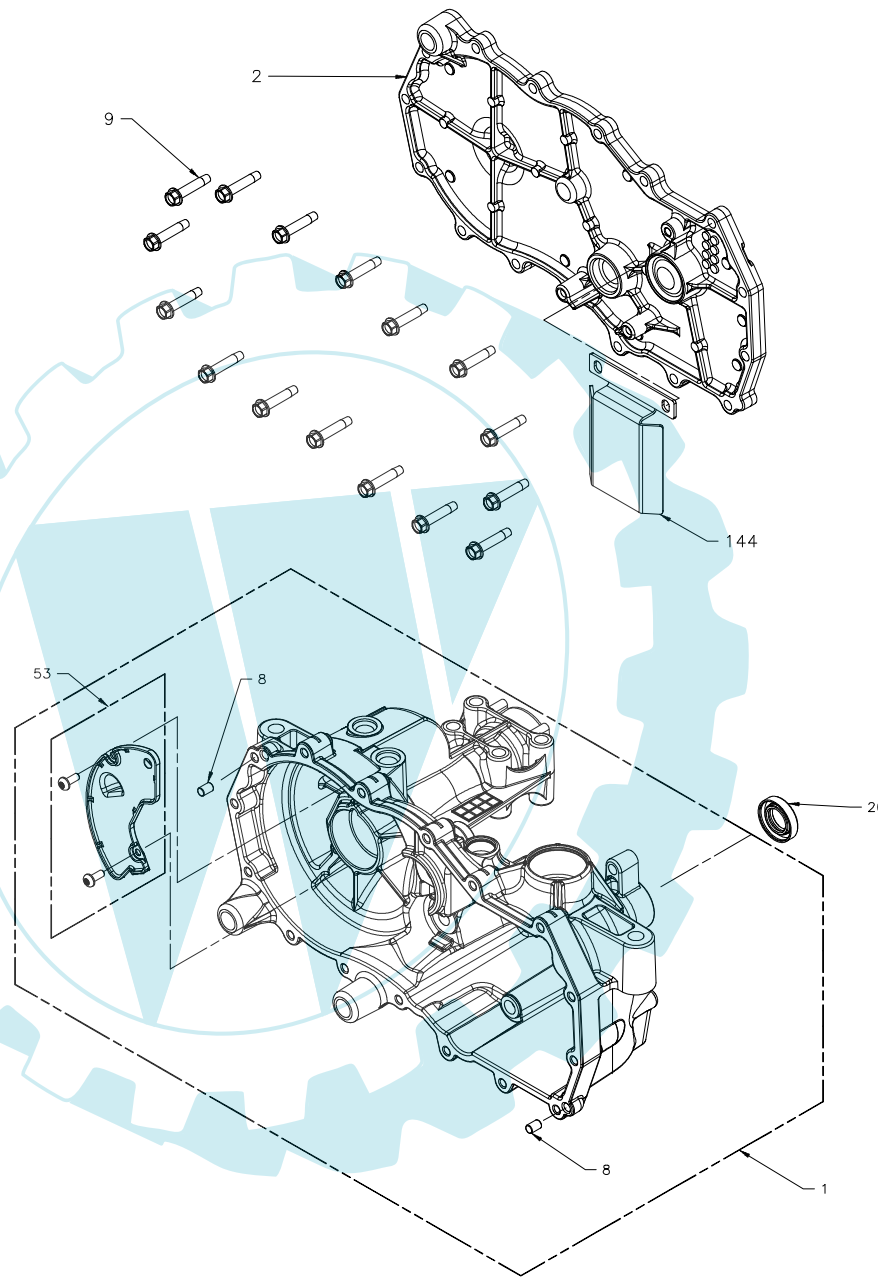
Char 3	Char 9	Char 8	ITEM#	COMPONENT#	DESCRIPTION	QTY
A	0,1,2	A-D	2	71031R	COVER, SIDE, RH W/CTRL AND BRAKE	1
	5,6,7	A-D		70863R	COVER, SIDE, RH W/BRAKE	1
		J-M		70983R	COVER, SIDE, RH	1
D	0,1,2	A-D	2	71031L	COVER, SIDE, LH W/CTRL AND BRAKE	1
	5,6,7	A-D		70863L	COVER, SIDE, LH W/BRAKE	1
		J-M		70983L	COVER, SIDE, LH	1

COMMON PARTS (ALL MODELS)

ITEM#	COMPONENT#	DESCRIPTION	QTY
20	51140	SEAL, LIP 18 X 32 X 7	1
8	9004800-2508	PIN, STAINLESS, HEADLESS	2
9	51190	HFHCS 1/4-20 X 1.25 (SELF TAPPING)	16

EXPANSION TANK, SPECIAL

CHAR 14	CHARACTER 3	ITEM#	COMPONENT#	DESCRIPTION	QTY
X, A	A	53	70868R	PLATE EXPANSION, RH	1
		144	52112	DEFLECTOR, BELT	1
	D	53	70868L	PLATE EXPANSION, LH	1
		144	52112	DEFLECTOR, BELT	1
B	----	144	N/A	N/A	N/A



EZT SERVICE SCHEMATIC

SUPERSEDED NO.	REFERENCE NO.	MODEL NO.	MAIN HOUSING (ITEM #1)	SIDE HOUSING (ITEM #2)	AXLE SHAFT (ITEM #49)	FAN/PULLEY (ITEM #54)	BRAKE ARM (ITEM #55)	CENTER SECTION (ITEM #57)	BYPASS ARM (ITEM #59)	CONTROL ARM OR RTN KIT (ITEM #23 OR #124)	HUB ASSEMBLY (ITEM #124)	BREATHER (ITEM #138)
N/A	105-3491	ZA-DMBB-3D5A-1DXX	70862L	70863L	51634	70591	70865	71142	70891	51631	NONE	NONE
N/A	105-3492	ZA-AMBB-3D5A-1CXX	70862R	70863R	51634	70583	70865	71143	70891	51631	NONE	NONE
N/A	D-3753-02	ZB-DKBB-2L5C-1DAX	71097	70983L	51858	70591	71069	71142	70891	51842	71308	71130
N/A	D-3753-01	ZB-AKBB-2L5B-1DAX	71098	70983R	51858	70591	71070	71143	70891	51841	71308	71130
N/A	16101	ZA-DCBB-3D0A-1DBX	71030L	71031L	51894	70591	70865	71142	70891	51631	71093	71004
N/A	16102	ZA-ACBB-3D0A-1DBX	71030R	71031R	51894	70591	70865	71143	70891	51631	71093	71004
107-2466	108-2393	ZA-DMBB-3D5A-2DXX	70862L	70863L	51634	70591	70865	71142	71006	51631	NONE	NONE
107-2465	108-2394	ZA-AMBB-3D5A-2CXX	70862R	70863R	51634	70583	70865	71143	71006	51631	NONE	NONE
N/A	001609500	ZA-DCBB-2D2B-1DBX	71030L	71031L	51894	70591	71069	71142	70891	71094	71093	71004
N/A	001609400	ZA-ACBB-2D2C-1DBX	71030R	71031R	51894	70591	71070	71143	70891	71095	71093	71004
ZA-DHBB-2L7C-1DBX	00177300	ZA-DHBB-2K7C-1DBX	71097	70983L	51954	70591	71070	71142	70891	71095	71093	71004
ZA-AHBB-2L7B-1DBX	00177200	ZA-AHBB-2K7B-1DBX	71098	70983R	51954	70591	71069	71143	70891	71094	71093	71004
N/A	110422	ZA-DHBB-3D5A-2DBX	70862L	70863L	51954	70591	70865	71142	71006	51631	71093	71004
N/A	110421	ZA-AHBB-3D5A-2DCX	70862R	70863R	51954	70591	70865	71143	71006	51631	71093	71131
ZA-DFBB-3D7C-2DBX	618-04164	ZA-DFBB-3D7C-2DHX	70862L	70863L	51954	70591	70865	71142	71006	71095	NONE	71308
ZA-AFBB-3D7B-2DBX	618-04163	ZA-AFBB-3D7B-2DHX	70862R	70863R	51954	70591	70865	71143	71006	71094	NONE	71308
ZA-DCBB-3M5A-1EBX	792911	ZA-DCBB-3M5A-1EBA	71097	70983L	51894	70489	70865	71142	70891	51631	71093	71004
ZA-ACBB-3M5A-1EDX	792895	ZA-ACBB-3M5A-1EDA	71098	70983R	51894	70489	70865	71143	70891	51631	71093	50594, 51825, 70921
N/A	16400	ZA-DCBB-3D2B-1DBX	71030L	71031L	51894	70591	70865	71142	70891	71094	71093	71004
N/A	16401	ZA-ACBB-3D2C-1DBX	71030R	71031R	51894	70591	70865	71143	70891	71095	71093	71004
ZA-DHBB-2L7C-1EBX	16334	ZA-DHBB-2K7C-1EBX	71097	70983L	51954	70489	71070	71142	70891	71095	71093	71004
ZA-AHBB-2L7B-1EBX	16335	ZA-AHBB-2K7B-1EBX	71098	70983R	51954	70489	71069	71143	70891	71094	71093	71004
N/A	00348100	ZA-DCBB-3D7C-1GBX	70862L	70863L	51894	70770	70865	71142	70891	71095	71093	71004
N/A	00348000	ZA-ACBB-3D7B-1GBX	70862R	70863R	51894	70770	70865	71143	70891	71094	71093	71004
ZA-DFBB-3D7C-2DBX	618-04164A	ZA-DFBB-3D7C-2DEB	70862L	70863L	51954	70591	70865	71142	71006	71095	NONE	52200, 52201
ZA-AFBB-3D7B-2DBX	618-04163A	ZA-AFBB-3D7B-2DEB	70862R	70863R	51954	70591	70865	71143	71006	71094	NONE	52200, 52201
	1727807	ZA-DHBB-2A7C-1DFX	70862L	70863L	51954	70591	71070	71142	70891	71095	71093	71306
	1727806	ZA-AHBB-2A7B-1DCX	70862R	70863R	51954	70591	71069	71143	70891	71094	71093	71300

